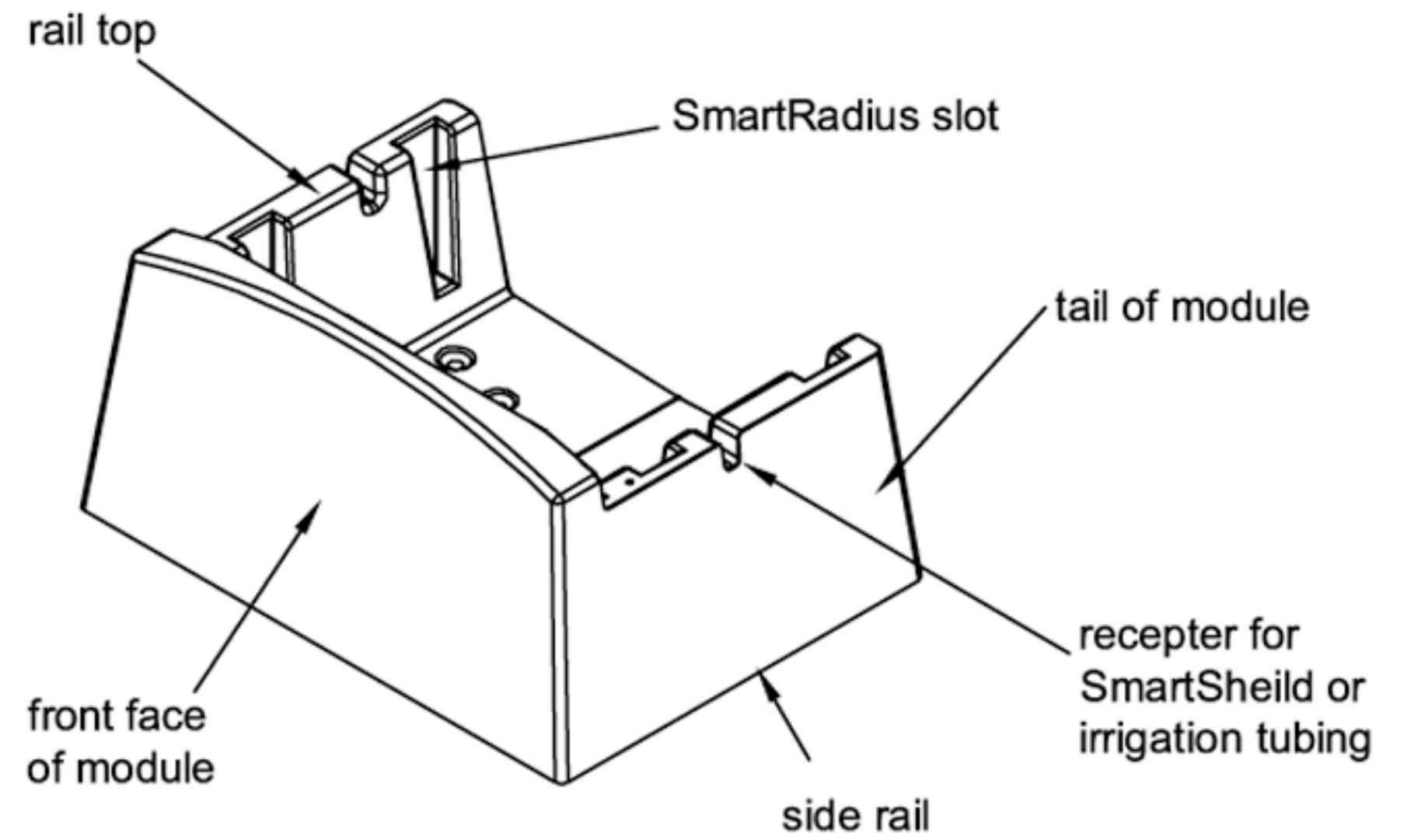
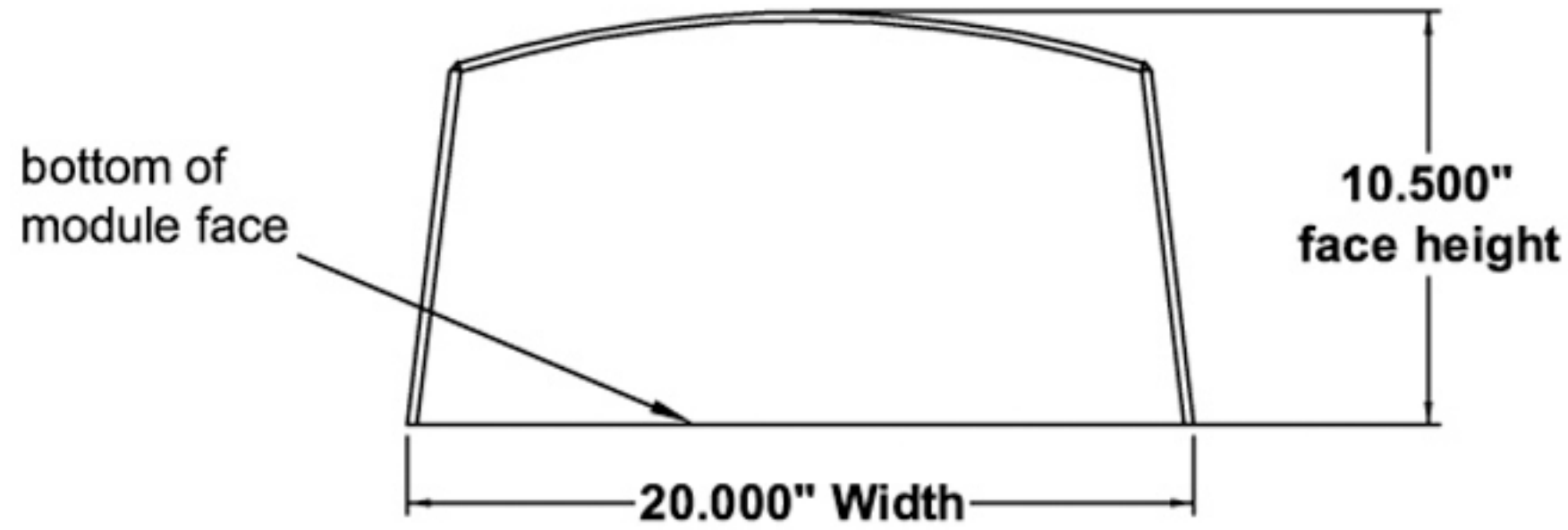


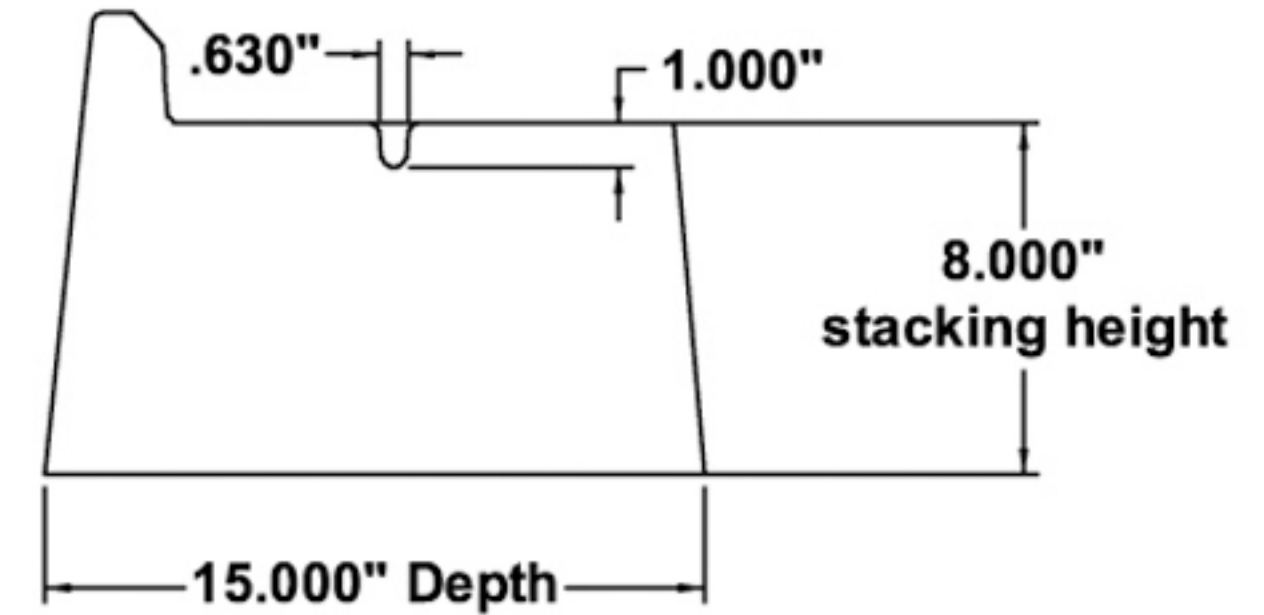
Top View



ISO View



Front View



Side View



These graphic representations are intended for preliminary design purposes only and are not to be used for construction without the signature of a registered professional engineer.

Scale:
None

C185 Module Dimensions