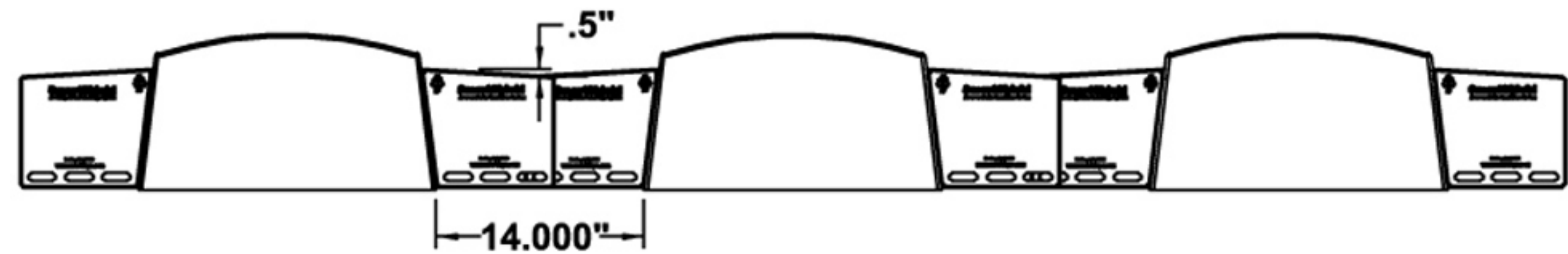
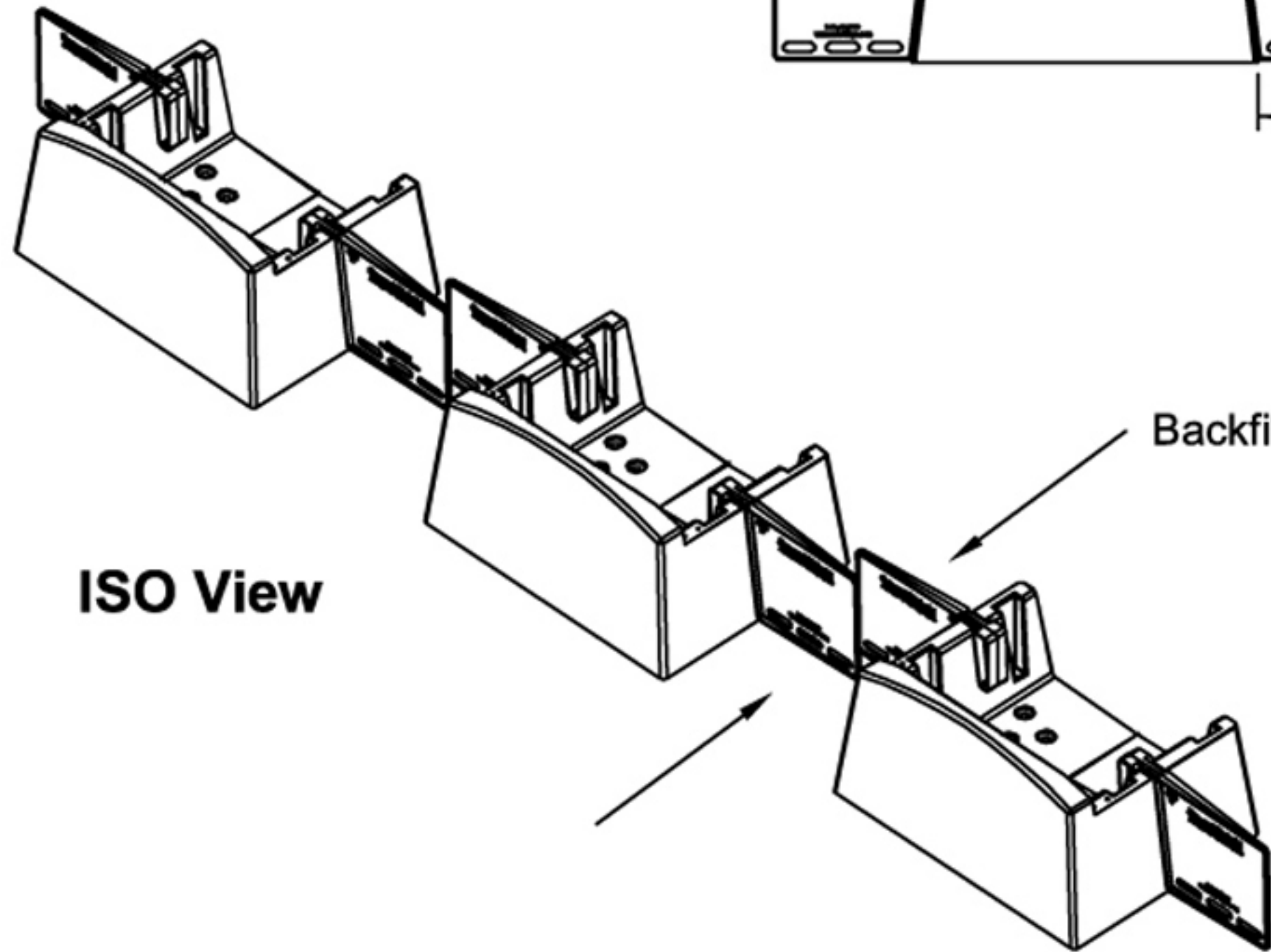


Top View



Front View



ISO View

Backfill in front of and behind the SmartSheilds.



These graphic representations are intended for preliminary design purposes only and are not to be used for construction without the signature of a registered professional engineer.

Scale:
None

SmartShield in Use
(2 of 2)