

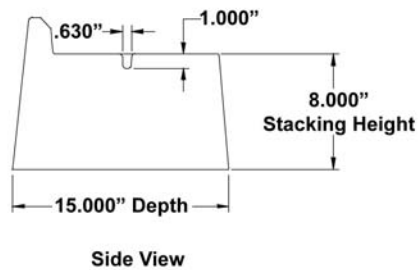
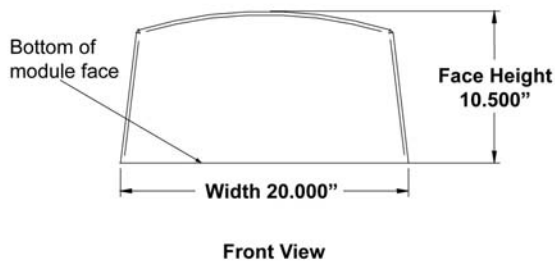
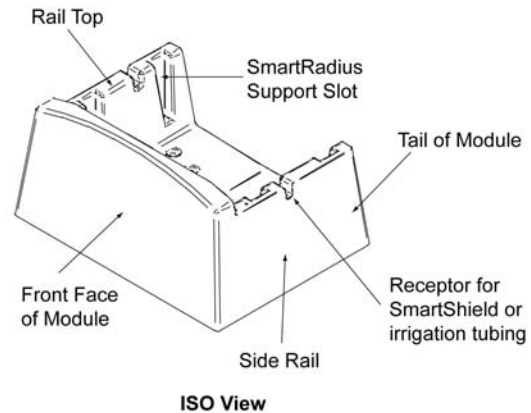
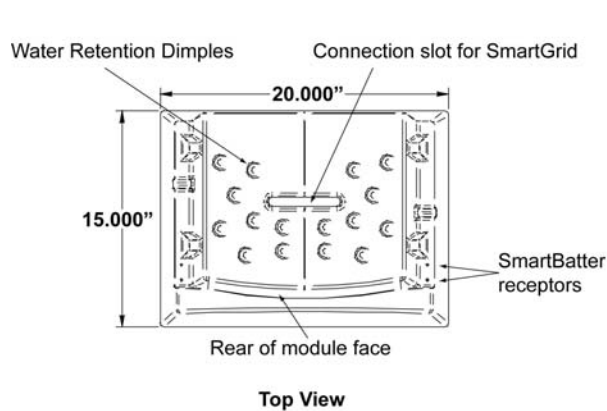


C185 SYSTEM: SPECIFICATIONS DATA SHEET

Product Name: SmartSlope C185 Living Retaining Wall System

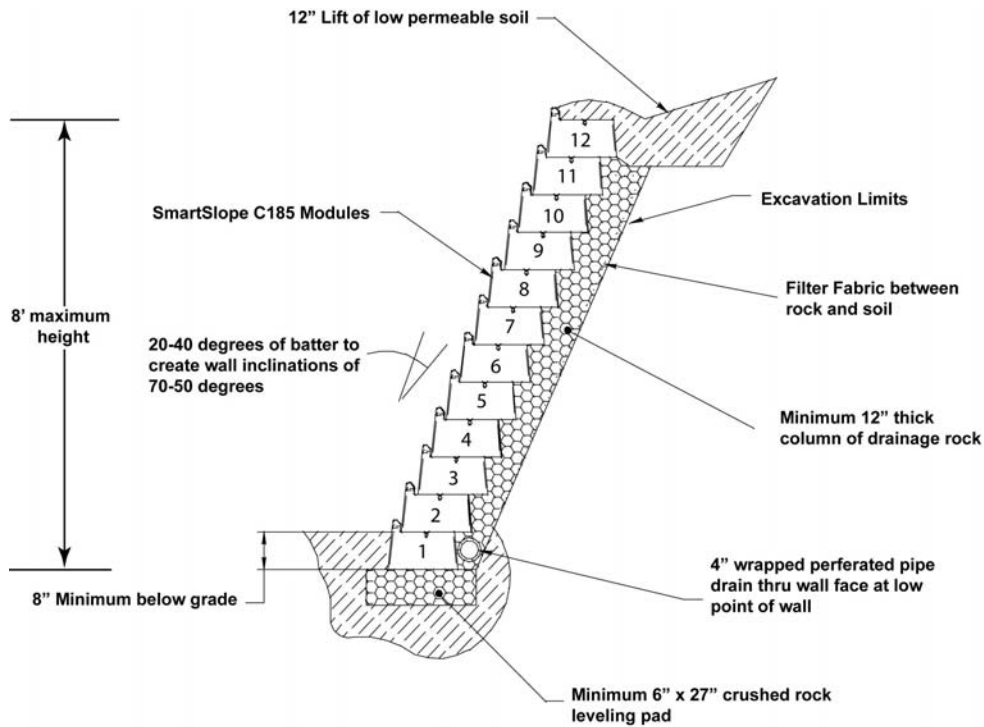
Manufacturer: SmartSlope, LLC
 3430 2nd Street, Suite 300
 Brooklyn, Maryland 21225
 Phone: (443) 874-7465
 Fax: (443) 874-7466
 Email: wagee@smartslope.com
 Web: www.smartslope.com

Description: SmartSlope C185 Living Retaining Wall System is a complete segmented vegetated retaining wall system, comprised of individual 20" wide by 8" high x 15" deep modules and accessory pieces. The modules are segmented retaining wall units designed as planting containers providing two functions – structural wall facing and plant growth.

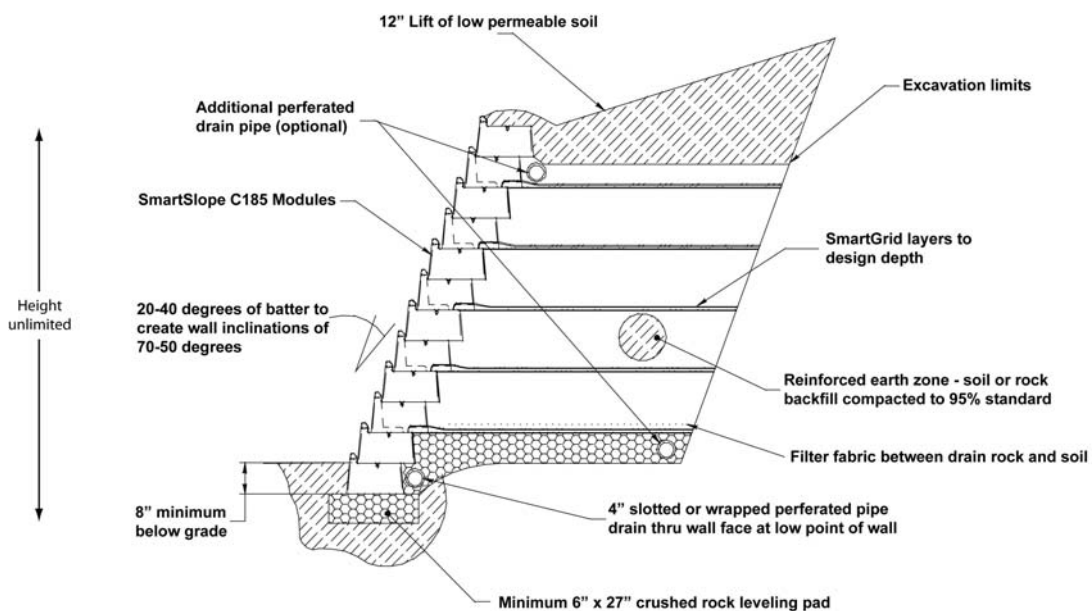


A SmartSlope installation can range from 70 degrees inclination (20 degrees of batter) to 50 degrees inclination (40 degrees of batter). Thus design flexibility offers application as segmented retaining or slope stabilization, always with the intention of full vegetated cover.

Typical Gravity Wall Section



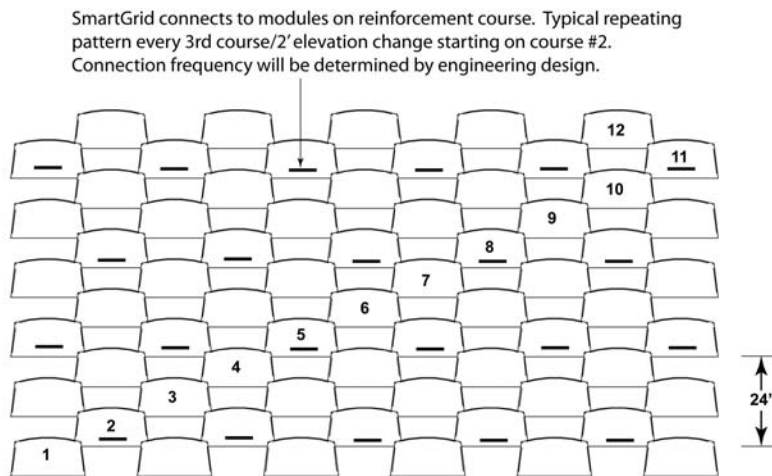
Typical Reinforced Section



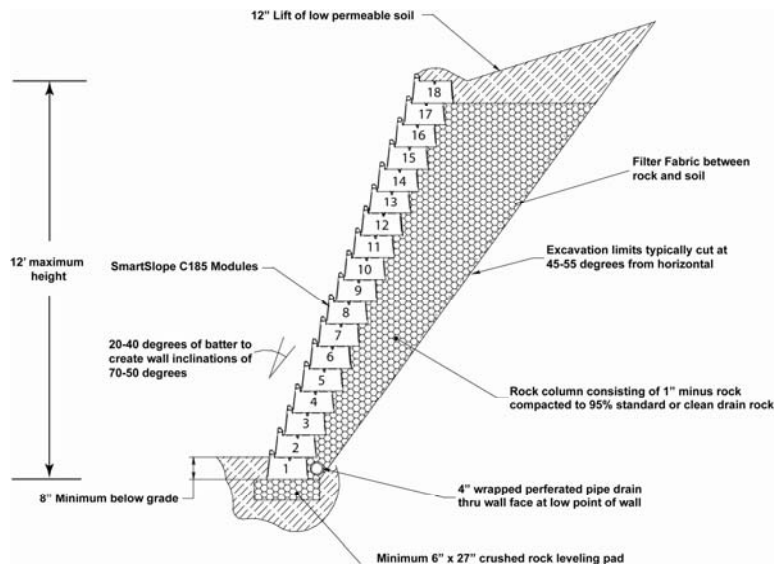
SmartSlope batter enables design of greater wall height construction before reinforcement is required. Where reinforcement is required, SmartSlope system includes a true mechanical connection through the module itself (no need for additional pins, rods, pipes, or other means of attachment) creating high connection values regardless of wall height. Wall design employs the same engineering protocols as any segmented retaining wall or general slope stabilization.

The modules are wet cast vs the dry cast method used by other manufacturers. Wet casting provides superior dimensional consistency which facilitates rapid installation by eliminating shimming and adjustment during the stacking process. Additionally, wet cast production provides superior freeze/thaw characteristics and allows more efficient use of the concrete.

Because each module covers 1.85 square feet of wall face (vs. 1 psf for typical SRW systems), approximately 46% fewer modules are needed which reduces labor and speeds installation. The modules are spaced 14" apart. Each module straddles two modules on the course below creating a checker board pattern of planting pockets. Every module pocket is then planted. As the plants mature, the entire concrete wall facing is obscured by vegetation. SmartSlope modules provide the largest planting pocket per sq ft of wall face currently available which facilitates plant palettes to meet any design objective.



Note: Because SmartSlope Wall Systems require batter between 20 and 40 degrees from vertical, installations impose a minimum footprint of 15" plus 3.8" per foot of wall height. (a 12' tall wall will have a footprint of 5')



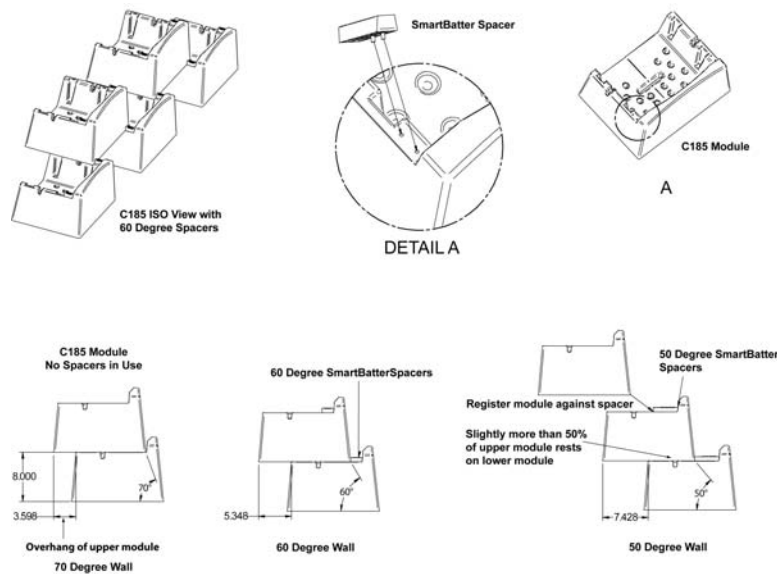
Composition and Materials

Modules

SmartSlope modules are wet cast composite concrete/polymer, formed in molds to produce uniform units. Modules weigh approximately 80 lbs and maintain minimum compressive strength of 5,000 psi with 5% to 7% air entrainment. The polypropylene liner and all accessory parts contain 100% post consumer recycled material.

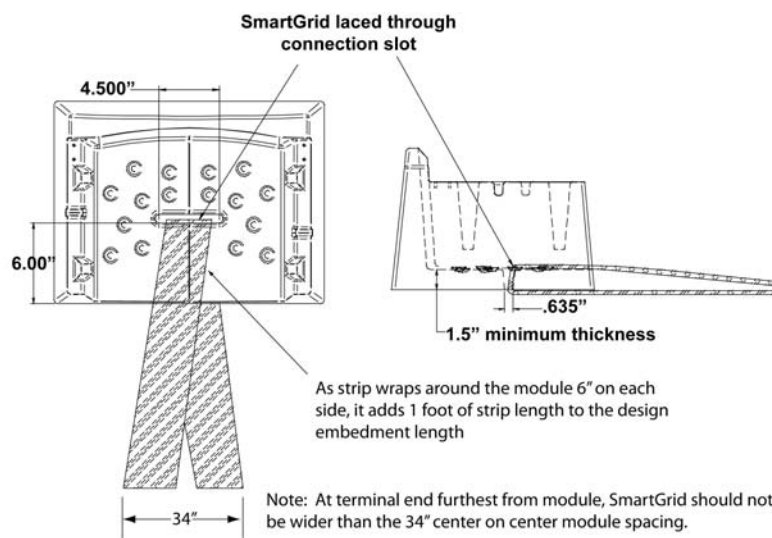
Accessories: SmartBatter

SmartBatter Spacers are rigid, durable, easy-to-use accessories that economically and precisely add increased set-back (batter) to elevations of the wall, or the entire wall, in order to guarantee planned wall inclinations.



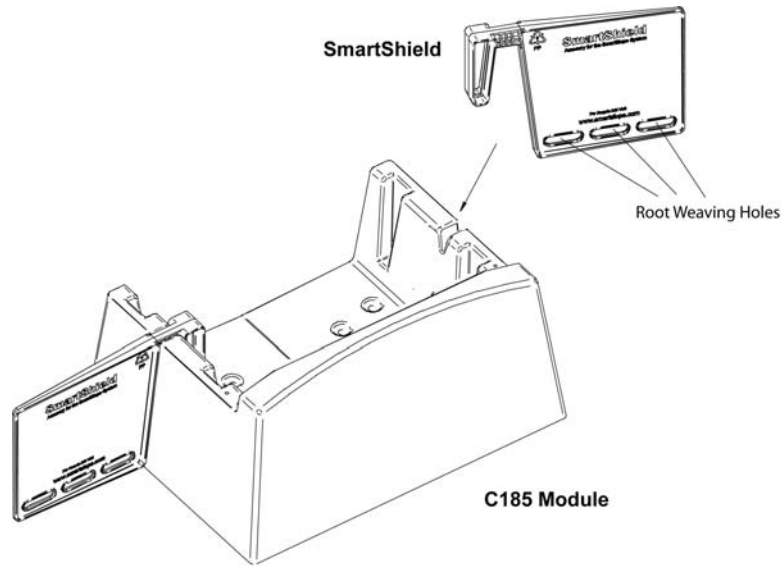
Accessories: SmartGrid

Polymeric strapping reinforcement system replaces geogrid rolls with improved connection values.



Accessories: SmartShield

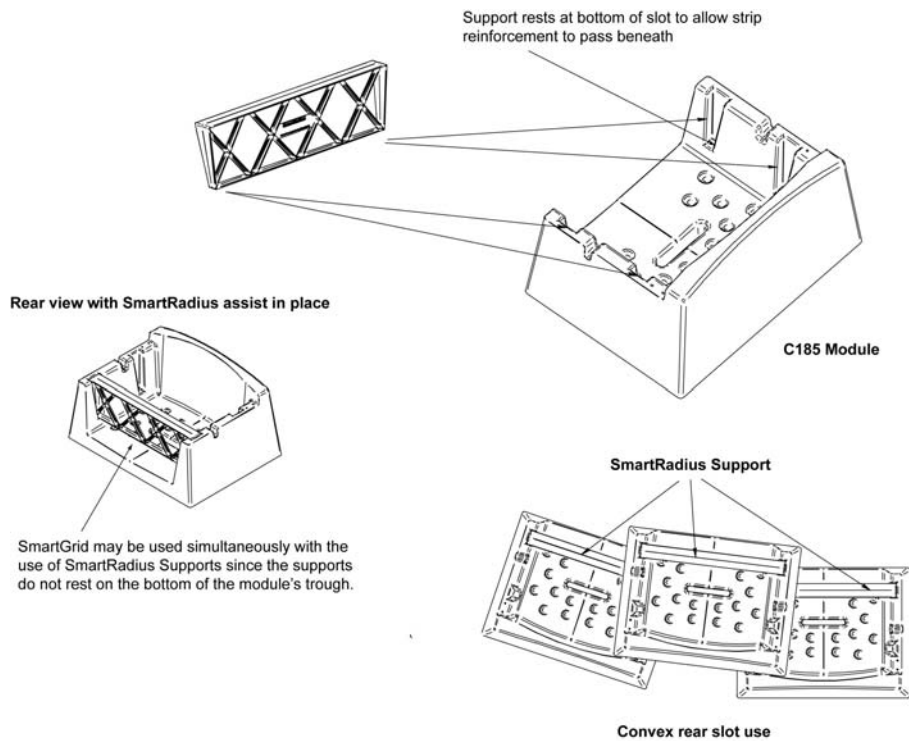
SmartShields are rigid, durable, easy-to-use accessories that add increased erosion protection to elevations of the wall exposed to the energy of flowing water or wave action.



Note: SmartShields are usable on left and right hand sides

Accessories: SmartRadius

SmartRadius Supports are rigid, durable, easy-to-use accessories that economically add increased load bearing surface to tight radius sections of the wall that require the modules to be installed "off-bond". They do not interfere with reinforcement placement or separate unit infill material.



Availability and Cost

SmartSlope Living Retaining Wall Systems are available through the manufacturer,

SmartSlope, LLC.
(443) 874-7465

Call for pricing and ordering details.

Warranty

SMART SLOPE, LLC warrants to its customers that each SmartSlope retaining wall Module is manufactured in accordance with current ASTM standards on compression strength, and absorption for concrete masonry Modules for 15 years after it is properly installed. If a Module does not meet this warranty standard, the customer shall notify SMART SLOPE, LLC in writing and, pursuant to Smart Slope's directions, such customer shall return the applicable Modules to the manufacturer or destroy them. SMART SLOPE, LLC shall ship to its customer, as applicable, at SMART SLOPE's expense, replacement Modules which shall be SMART SLOPE's sole remedy for breach of this warranty. SMART SLOPE, LLC shall have no obligation to install such replacement Modules.

This Warranty shall not apply to any Module which is damaged or defective or fails to meet the warranty standard due to the manner in which it was installed, any chemicals coming in contact with the Module, the design of the structure in which a Module is used, excessive or unforeseen site conditions, soil conditions, manufacturing defects, or other conditions beyond SMART SLOPE LLC's control. THE ABOVE SETS FORTH THE SOLE WARRANTY FROM SMART SLOPE LLC REGARDING THE PRODUCT AND IS MADE IN LIEU OF ALL OTHER WARRANTIES, EXPRESS OR IMPLIED, AND SMART SLOPE, LLC SPECIFICALLY DISCLAIMS THE IMPLIED WARRANTIES OF MERCHANTABILITY AND FITNESS FOR A PARTICULAR PURPOSE.

Warranty information should be sent to:

SMART SLOPE, LLC
3430 2nd Street, Suite 300
Baltimore, MD 21225
(443) 874-7465

Maintenance

Maintenance and care of the vegetated portions of the wall system is required at least until the vegetation is established (grown in). The initial and continuing maintenance required will depend on the type of vegetation, local weather conditions, and exposure. The modules do not require maintenance.

Technical Support

SmartSlope, LLC staff is available at (443) 874-7465 or www.smartslope.com for information and technical advice.